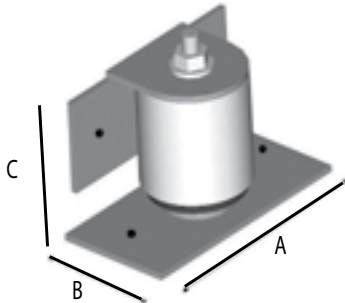


# Vibro-SeiSmicon

## SEISMIC RESTRAINT



Machines based on anti-vibration mounts such as springs, elastic pads etc., during external excitation (e.g. earthquake, wind, tornado etc.) can develop critical displacements. These displacements may stop the operation or even cause serious damage to the machine. **Seismicon** restraints could resist the imposed forces and limit the movement of equipment to all three directions. The restraints also prevent the creation of sound bridge between the machine and its support base, due to their internal neoprene bushings, thus the vibrations during normal operation are not transmitted.

Four **Vibro-SeiSmiCon** pieces should be installed at least, one on every side of the machine, near the corners of its base.

The application of the restraint must be done after the installation and the operation of the machine. Afterwards, restraint can be regulated in height.

Metal sheets additions could be screwed or welded on the restraint's parts, if it is necessary to be adapted with special needs of installation.

It must be ensured that the machine frame and also the building structure have the necessary strength to remain both attached to the SeiSmiCon, during an earthquake or extreme wind loading.

Selection Table

| TYPE | INTERNAL RUBBER COLOR | DIMENSIONS (AxBxC)<br>(mm) | MAXIMUM LOAD<br>(daN) |
|------|-----------------------|----------------------------|-----------------------|
| C-1  | Rose                  | 200-100-95                 | 750                   |
| C-2  | Turquoise             | 200-100-95                 | 1000                  |



Design and Production according to Quality Management System ISO 9001.2008 & Environmental Management System ISO 14001.2004