

# Vibro-EP - METAL

## ANTI-VIBRATION PAD WITH METAL COVER

### Description

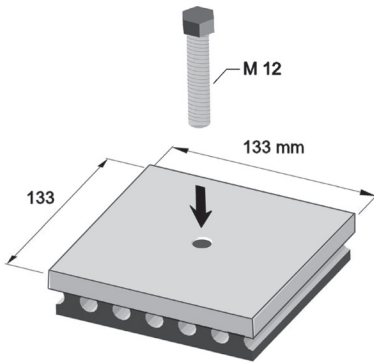
**Vibro-EP Metal** consists of a rubber pad Vibro EP (dimensions 12.5 x 12.5 x 2.5 cm) and a specially formed galvanised metal cover. The steel cover protects the rubber part of the mount from UV radiation and oil. At the same time, the load applied on the mount is equally distributed to the entire surface of the rubber element.

At the centre of the upper side of the cover an internal M12 thread is incorporated, which allows the corresponding fixing screw (not included) to attach the machine with the anti vibration mount. The beige green and yellow elastic pads are made of Neoprene type of rubber which is even more resistant to heat and UV radiation.

### Applications

Vibro-EP Metal can be used as an antivibration mount for: aircompressors, pumps, fans, generator sets, cutting machines, etc.

Floating supports: industrial floors, elevators, printing machines, testing machines, etc.



### Vibro-EP METAL Selection Table

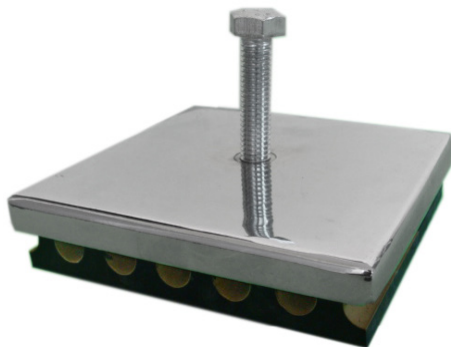
RUBBER TYPE (Color Code)	MAX LOAD (kp*)
Grey or Beige	300
Blue or Green	200
Red or Yellow	100

\*1 kp = 10 N

### Dynamic Characteristics

Deflection 2.8 mm at maximum load

Natural Frequency: 10 Hz at maximum load



Design and Production according to Quality Management System ISO 9001.2008 & Environmental Management System ISO 14001.2004