

Vibro-QH.F

HANGERS For GYPSUM BOARDS CEILINGS

Description

Vibro-QH.F consists of a specially designed galvanized metal suspension hanger, with grappling edges for Quick & Easy connection with the standard ceiling metal profiles (60x27mm for false ceilings) according to DIN 18182-1.

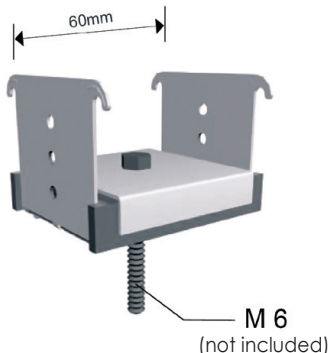
Therefore, the labour cost decreases and it also facilitates the work of the installer. The rubber element of the **Vibro-QH.F** hanger is high quality polyurethane foam, with semi-closed cells, manufactured by the German company Regupol under the trademark Regufoam®

It is available in 2 different thicknesses of its elastic pad:

12mm (economic solution)

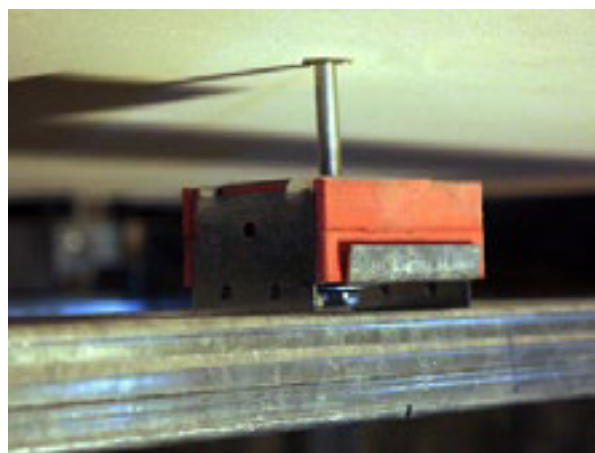
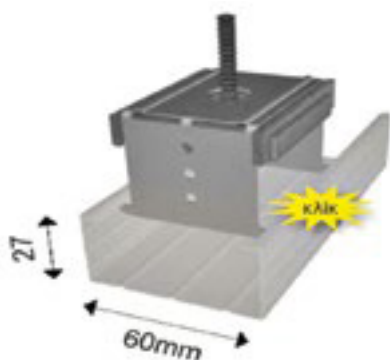
25mm (better vibration control)

Vibro-QH.F can be used as hangers for suspension of floating false ceiling with gypmboard.



Vibro- QH.F Selection Table

TYPE (Thickness)	MAXIMUM LOAD (daN*)
Vibro-QH.F 20.(12)	20
Vibro-QH.F 20.(25)	20



Design and Production according to Quality Management System ISO 9001.2008 & Environmental Management System ISO 14001.2004