

Vibro-EM.3

RUBBER MOUNT (Type 3)



Vibro EM.3 is a vibration control mount made with a combination of rubber and metal bonded parts. The metal parts are covered by rubber and are better protected from oxidation, whilst the top and bottom surface has special lining that increase friction and reduce the surface slipping.



The antivibration elastic mount **Vibro EM.3** can be used to absorb vibration in air handling units, air conditioning units, pumps, air compressors, ventilators, transformers, motor generators, cutting machines, printing machines, lifts, etc. especially when machine fastening is necessary.

A special marking (W ... : White, B .. : Blue) identifies the hardness of the rubber and the maximum load it can sustain.

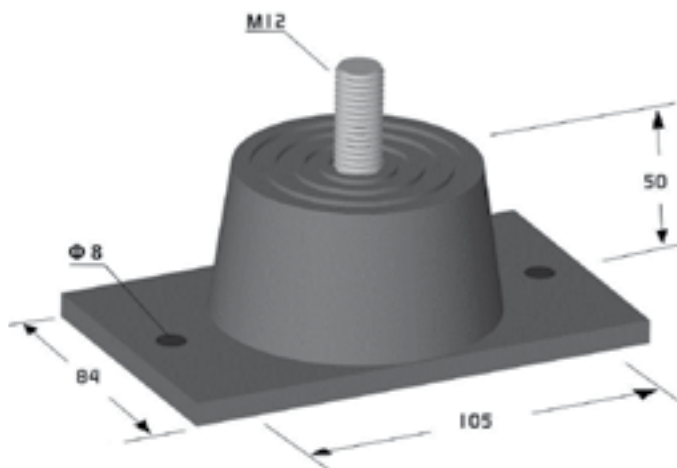
Dynamic Characteristics

Deflection: 3 mm at maximum load
 Natural Frequency: 10 Hz at maximum load

-Available also with more units for increased maximum load (Vibro EM.3 Plus)

Selection Table

TYPE (Color Code)	MAXIMUM LOAD (daN)
Vibro-EM.3 (B ..)	200
Vibro-EM.3 (W ...)	350



Design and Production according to Quality Management System ISO 9001.2008 & Environmental Management System ISO 14001.2004