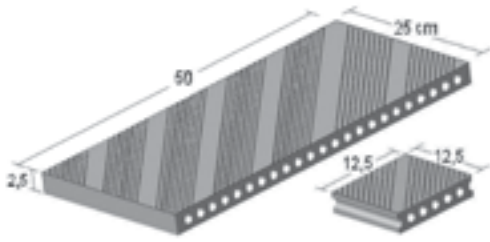


Vibro-EP

RUBBER PAD



Vibro-EP is the result of specialized research and is produced in this form since 1989, made from elastomeric material mixed with special substances for its further improvement.

Its longitudinal holes increase the provided compression/deflection and improve vibration absorption. They can be installed in multiple layers with the use of steel plate in-between, in order to reduce the natural frequency down to 4 Hz.

Vibro-EP can be used for vibration absorption in the following applications:

- Antivibration mounts of aircompressors, pumps, fans, generator sets, cutting machines, etc.
- Floating supports for industrial floors, elevators, printing machines, testing machines

Selection Table

COLOR CODE	DIMENSIONS (cm)	MAXIMUM STATIC LOAD (daN)	SPECIFIC LOAD (kg/cm ²)
Grey or Beige	12.5 x 12.5 x 2.5	300	1.4 - 2
	50 x 25 x 2.5	3000	1.6 - 2.4
Blue or Green	12.5 x 12.5 x 2.5	200	0.9 - 1.3
	50 x 25 x 2.5	2000	1.1 - 1.6
Red or Yellow	12.5 x 12.5 x 2.5	100	0.4 - 0.6
	50 x 25 x 2.5	1000	0.6 - 0.8

RUBBER TYPE (Color Code)

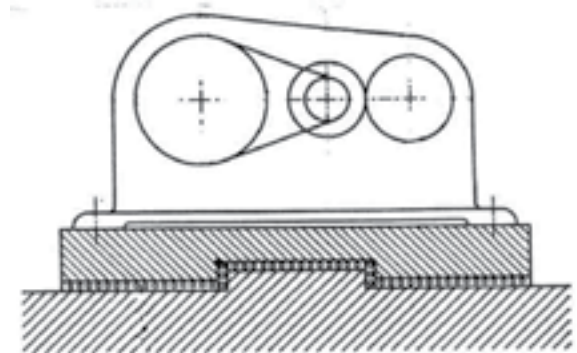
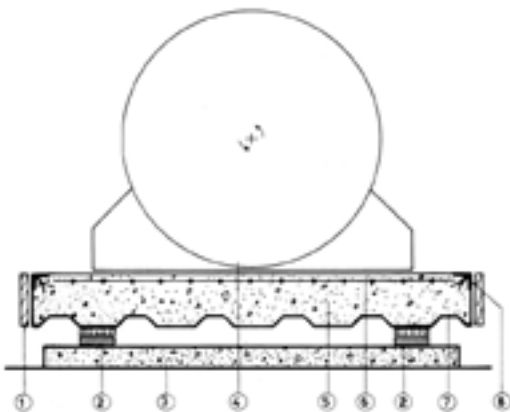
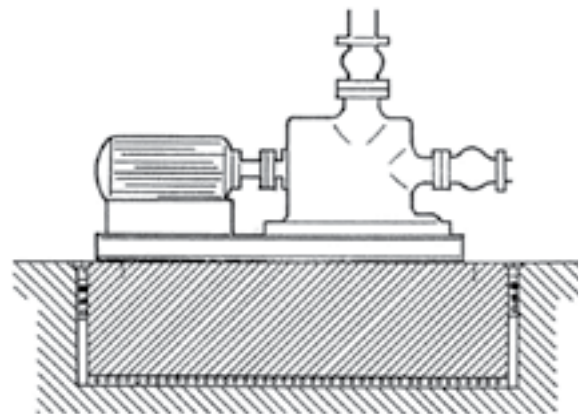
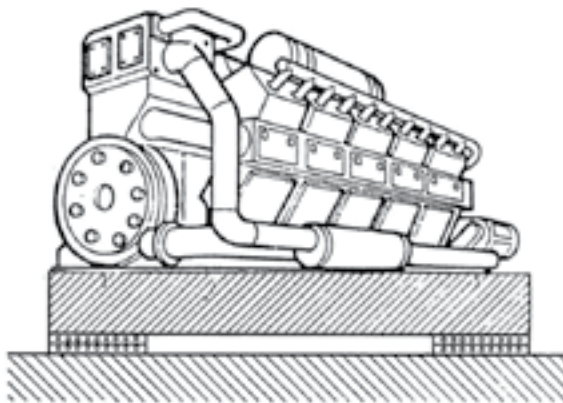
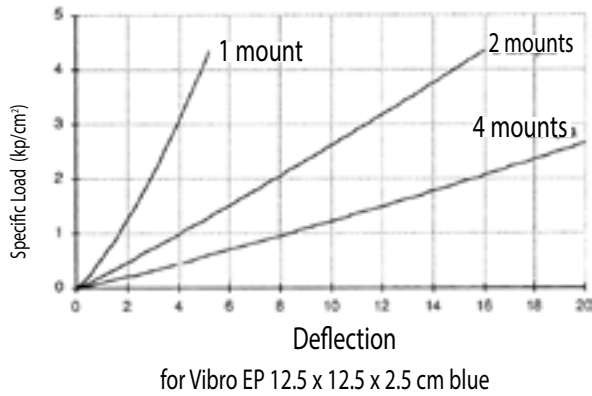
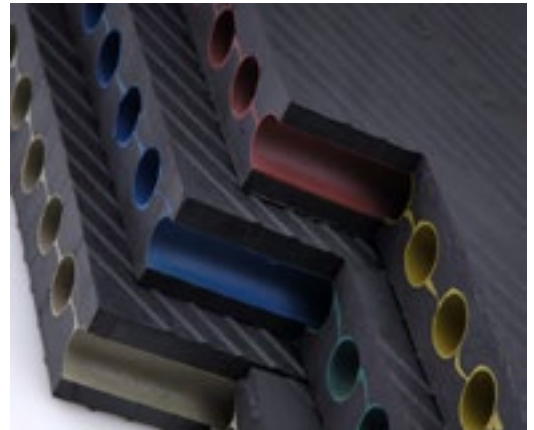
Special rubber compound: (Grey - Blue - Red)

Neoprene: (Beige - Green - Yellow)



Due to its high abrasion coefficient, **Vibro-EP** does normally not require to be fixed using screws, glue or plugs.

It can be placed under machinery, metal supports of machinery or under concrete floating inertia supports, in single or multiple layers.



Design and Production according to Quality Management System ISO 9001.2008 & Environmental Management System ISO 14001.2004