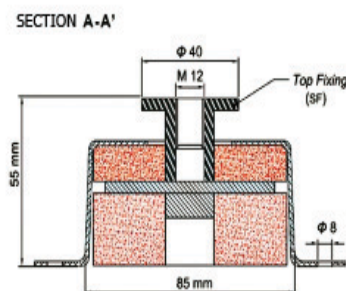
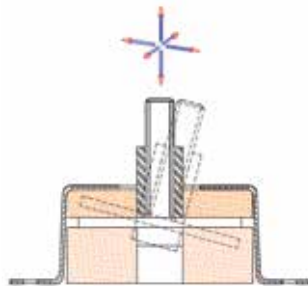
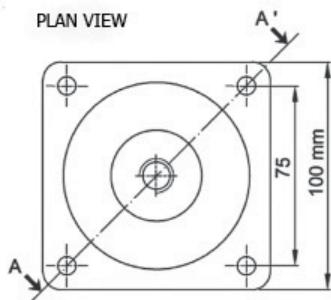


Vibro-3D

MULTIDIRECTIONAL ANTI-VIBRATION MOUNT

Description

The new anti-vibration mount Vibro-3D is one of the few antivibration mounts that can offer vibration control in every direction. Vibro-3D is designed to sustain impulsive loads in all three axis (x, y, z), so its able to receive high vertical or lateral shocks with minimum danger of destruction. The main internal elastic foam material is polyurethane foam with semi closed cells, which is produced in Germany with the trademark Regufoam®. Full range of its mechanical behavior diagrams, conducted in the University of Dresden, are available on request.



Vibro-3D Selection Table

TYPE (Color Code)	APPLICATION	MAX STATIC LOAD (kp)	MAX DYNAMIC LOAD (kp*)
Grey	MOUNTING (B)	38	55
	SUSPENSION (H)	31	47
Beige	MOUNTING (B)	77	110
	SUSPENSION (H)	63	93
Turquoise	MOUNTING (B)	165	231
	SUSPENSION (H)	154	187
Red	MOUNTING (B)	298	418
	SUSPENSION (H)	200	280

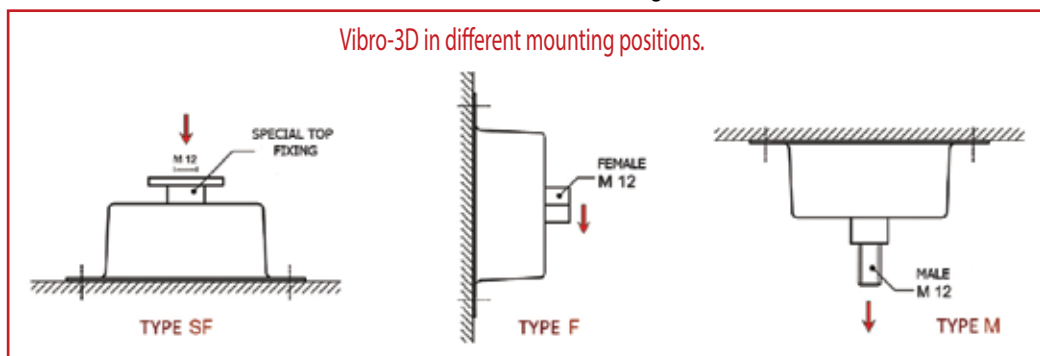
APPLICATIONS
MOUNTING (B)
SUSPENSION (H)

ENDING TYPE
Male (M)
Female (F)
Special Female Fixing (SF)

Note: The max. load for the radial force shall be 15% of the mounting load.

*1 kp = 10 N

Indicative order form: Vibro-3D Beige / B-SF



Note: All the ending types (M,F,SF) can be applied in the above mounting positions.

Design and Production according to Quality Management System ISO 9001.2008 & Environmental Management System ISO 14001.2004