

Vibro-FM

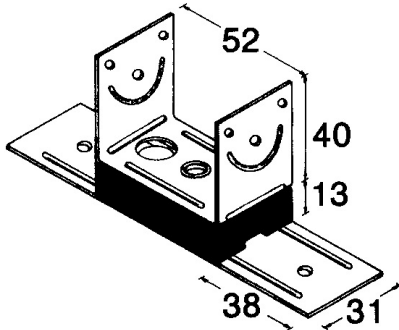
WOODEN FLOOR MOUNT ISOLATORS

Description

Vibro-FM is produced based on a deep research in National Technical University of Athens. The floor pads consist of metallic and elastic parts which are connected accordingly and as a result it prevents the creation of acoustic bridges. The elastic part consists of a specially designed non aging material providing maximum sound insulation.

Vibro-FM, has been developed to reduce the impact noise of wooden parquet floors. Impact noise refers to sound produced when a short duration impulse, acts directly on a structure. **Vibro-FM** pads, are useful for the reduction of noise coming from the floor above the sound receiver. The floor pads consist of metallic and rubber parts which are connected accordingly and as a result it prevents the creation of acoustic bridges.

Weighted Normalised impact sound pressure level $L_n'w = 53$ dB was measured at the acoustic Laboratory of National Technical University of Athens in accordance with international standards ISO 140- 6 and ISO 717- 2.



Installation

Inside the specially modulated receptor \sqsubset a wooden batten or metal profile of floating walls (steel frame, metal studs etc.) can be installed and fixed on the lateral flaps with bolts. **Vibro FM** can be fixed on the floor (or the wall) with expansion bolts or inox nails. The floor should not lay against the wall, and for that reason there should be placed the specially designed elastic profile **VIBRO-band** should be applied between the floor and the wall.

QUANTITY

6 - 8 items per m^2

MAXIMUM LOAD

80 Kp* per mounting point

*(1Kp=10N)



Design and Production according to Quality Management System ISO 9001.2008 & Environmental Management System ISO 14001.2004