

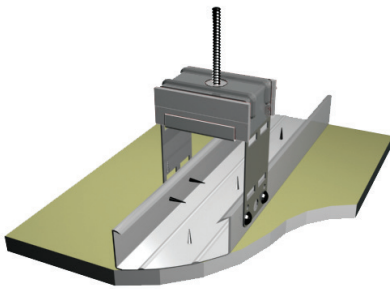
# Vibro-CH-R

## ANTI-VIBRATION HANGER with REGUFOAM

### Description

The frame of **Vibro-CH-R** is made from galvanized metal sheet. The elastic element of the hanger is a high quality polyurethane foam, with semi-closed cells, manufactured by the German company BSW under the trademark Regufoam®. Full range of its mechanical characteristics diagrams and certificates, conducted in the University of Dresden, are available upon request.

The precisely designed incisions of the metal sheet provide easy bending of its frame, at certain shapes, that can be achieved by the strength of a single hand. Thus, Vibro CH-R can be easily transformed, very easy, into 4 different shapes in order to help the installer use it at the most favorable form.



- SHAPE (1) - Screwed on both sides of the metal suspension's profile
- SHAPE (2) - is fixed with 2 anchors on the ceiling
- SHAPE (3) - is fixed with 1 anchor on the ceiling
- SHAPE (4) - Hanged up with a hook or other proper device.

**Vibro-CH-R** is available in 4 different thicknesses (12-25-37-50mm) and in 2 different stiffnesses, in order to achieve the desired natural frequency.

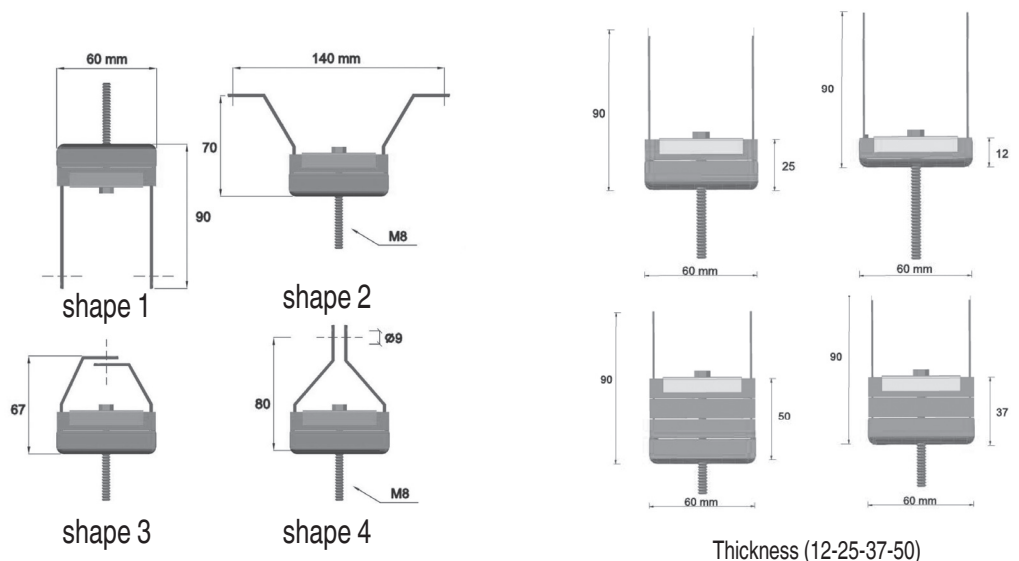
### Applications

Vibro-CH-R can be used as hangers for suspension of floating false ceiling with gypumboard, antivibration suspension of machinery (ventilators, air conditioning e.t.c.), antivibration suspension of pipes, air – ducts etc.

### Vibro- CH-R Selection Table

TYPE (Thickness)	MAXIMUM LOAD (kp*)
Vibro-CH.R 20.(12-25-37-50)	20
Vibro-CH.R 50.(12-25-37-50)	50

\*1 kp = 10 N



Design and Production according to Quality Management System **ISO 9001.2008** & Environmental Management System **ISO 14001.2004**