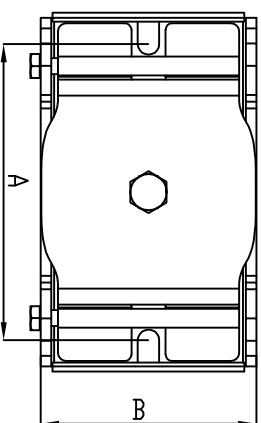
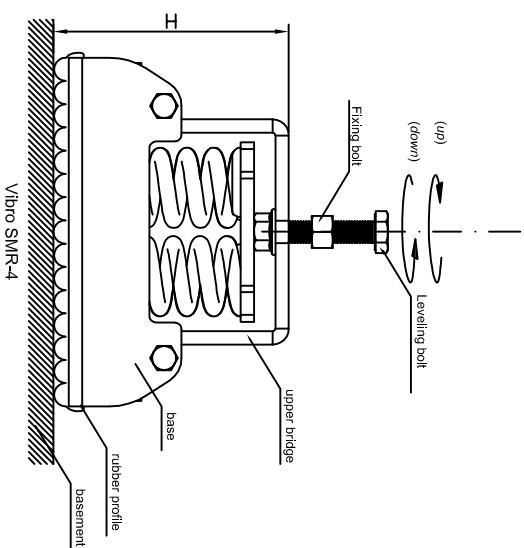
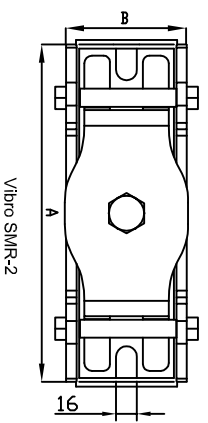
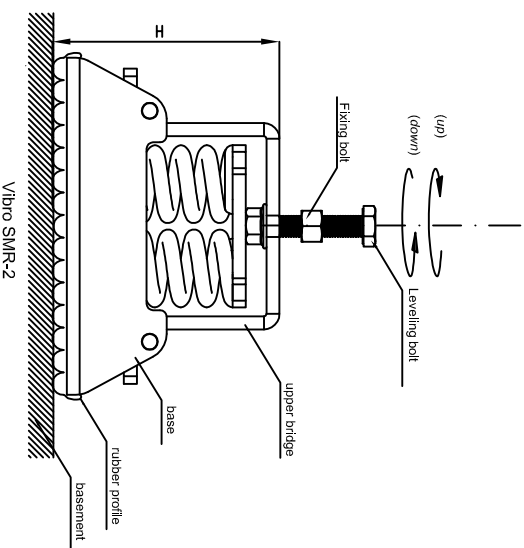
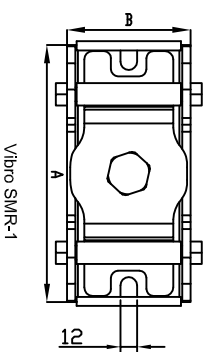
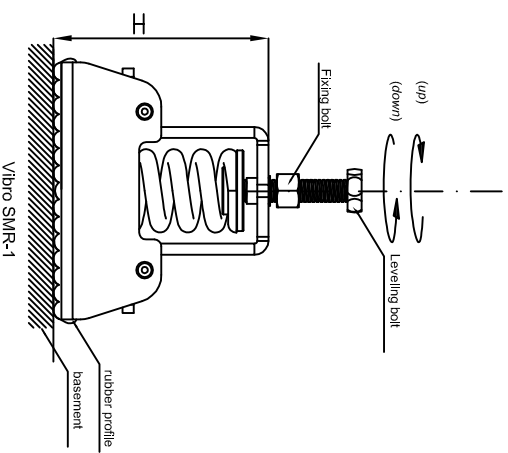
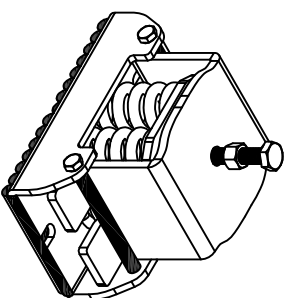
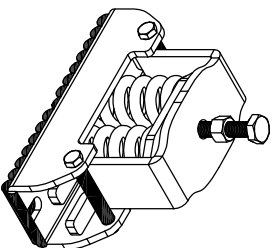
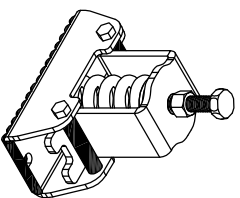


VIBRO - SMR (Antivibration Spring Mount with Multi-Directional Restrain & Adjustable Height)

FRONT VIEW



ISOMETRIC VIEW



Vibro SMR-1

Vibro SMR-2

Vibro SMR-4

INSTALLATION INSTRUCTIONS

1. Locate each isolator VIBRO - SMR into position according to submittal drawing using color coded springs or labeling as identification.
2. Lower the equipment on to the isolator trying not to overload any of the other spring isolators, due to unbalanced load.
3. Fix the bottom part of isolator to the building structural support using two appropriate bolts or anchors through its holes provided.
4. Screw the upper bolt through the appropriate hole of the equipment base.
5. Adjust the leveling using the upper bolt to reach the appropriate level in order to distribute the load among spring isolators. Turn the top bolt clockwise to lift the upper bridge and counterclockwise to lower the upper bridge.
6. Tighten top nut to the equipment foot bracket in order to fix it with SMR.

NOTES:

Check if you need an extra protection against earthquake or wind extinction.

SELECTION TABLE

Type VIBRO	Maximum load (kp)*	Dimensions (AxBxH mm)
SMR - 250.1	250	185-90-155
SMR - 500.1	500	185-90-155
SMR - 750.1	750	185-90-155
SMR - 500.2	500	260-95-164
SMR - 1000.2	1000	260-95-164
SMR - 1500.2	1500	260-95-164
SMR - 1000.4	1000	260-162-164
SMR - 2000.4	2000	260-162-164
SMR - 3000.4	3000	260-162-164

*Other load range on request * (1kp=10N)

Subject to change without notice

Design and Production according to Quality Assurance System which complies with ISO 9001:2008.



www.vibro.gr
info@vibro.gr

TITLE

Vibro - SMR

Installation Instructions

SCALE Do not scale print

All dimensions are in mm U.O.N.

LAST DATE REVISED

12-2014

SORT CODE

INST - SMR

DRAWING NO.

01